



Datasheet CCT EVO SLR

For more informations visit www.corratec.de

CCT EVO

CCT EVO SLR

Weight from: 6,39 kg

Frame: Corratec CCT Evo

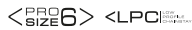
Components: SRAM Red eTAP

Size: 46, 48, 51, 54, 57, 60

Colors:



TECHNOLOGIES



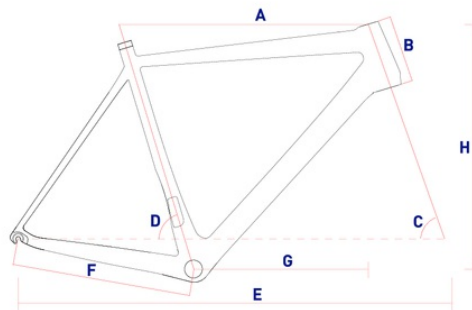
DESCRIPTION

Secret of Speed – the magic formula of the superfast CCT Evo is the light but brutally stiff carbon frame with superb aerodynamics. These characteristics make the CCT Evo to a very super sports machine.

- All SRAM Red eTAP spec.
- Aerodynamic carbon frame.

FRAME

CM	A	B	C	D	E	F	G	H
46	516	119	71	75	974	407	373	518
48	534	130	73	74	973	407	381	534
51	551	144	73	74	978	407	386	550
54	569	153	73	73	991	407	399	558
57	585	178	73	73	1004	407	405	582
60	598	194	73	73	1017	407	413	598



EQUIPMENT

MAIN:

FRAME:	Corratec CCT Evo
FORK:	Corratec Pro Control Fork
BREAKES:	SRAM RED S-900 Direct Mount front Shimano ULTEGRA Direct Mount rear
STEM:	ZYZX SL Alloy
HANDLE BAR:	ZYZX SLR Carbon Handlebar
SADDLE:	Fizik Antares R7
SEAT POST:	ZYZX SL Alloy

WHEELSET :

RIM:	ZYZX SLR Carbon 700c
TIRE:	Continental Competition

DRIVE:

CHAINWHEEL:	Rotor Aldhu QRing
CASSETTE:	SRAM XG 1190 11s
FRONT DERAILLEUR:	SRAM Red 22 eTAP
REAR DERAILLEUR:	SRAM Red 22 eTAP
SHIFT LEVERS:	SRAM Red 22 eTAP

SPECIAL:

CHAINWHEEL RATIO:	2s; 50/34
CASSETTE RATIO:	11s; 11-12-13-14-15-17-19-21-23-25-28

