



Datasheet CCT EVO SL

For more informations visit www.corratec.de

CCT EVO

CCT EVO SL

Weight from: 6,63 kg

Frame: Corratec CCT Evo

Components: Shimano DURA ACE

Size: 46, 48, 51, 54, 57, 60

Colors:



TECHNOLOGIES



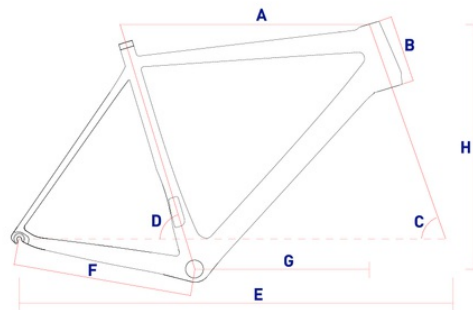
DESCRIPTION

Secret of Speed – the magic formula of the superfast CCT Evo is the light but brutally stiff carbon frame with superb aerodynamics. These characteristics make the CCT Evo to a very super sports machine.

- All Shimano DURA ACE spec.
- Aerodynamic carbon frame.

FRAME

CM	A	B	C	D	E	F	G	H
46	516	119	71	75	974	407	373	518
48	534	130	73	74	973	407	381	534
51	551	144	73	74	978	407	386	550
54	569	153	73	73	991	407	399	558
57	585	178	73	73	1004	407	405	582
60	598	194	73	73	1017	407	413	598



EQUIPMENT

MAIN:

FRAME:	Corratec CCT Evo
FORK:	Corratec Pro Control Fork
BREAKES:	Shimano Dura Ace Direct Mount front Shimano Dura Ace Direct Mount Bottom Bracket rear
STEM:	ZZYZX SL Alloy
HANDLE BAR:	ZZYZX SLR Carbon Handlebar
SADDLE:	Fizik Antares R7
SEAT POST:	ZZYZX SL Alloy

DRIVE:

CHAINWHEEL:	Rotor Aldhu QRing
CASSETTE:	Shimano ULTEGRA
FRONT DERAILLEUR:	Shimano Dura Ace R9100
REAR DERAILLEUR:	Shimano Dura Ace R9100
SHIFT LEVERS:	Shimano Dura-Ace R9100

WHEELSET :

RIM:	ZZYZX SLR Carbon 700c
TIRE:	Continental Competition

SPECIAL:

CHAINWHEEL RATIO:	2s; 50/34
CASSETTE RATIO:	11s; 11-12-13-14-15-17-19-21-23-25-28

