



# Datasheet CCT Team Race Disc

For more informations visit [www.corratec.de](http://www.corratec.de)



## CCT Team Race Disc

Weight from: 8,32 kg

Frame: Corratec CCT Team Disc

Components: Shimano ULTEGRA 11S

Size: 46, 48, 51, 54, 57, 60

Colors:



### TECHNOLOGIES



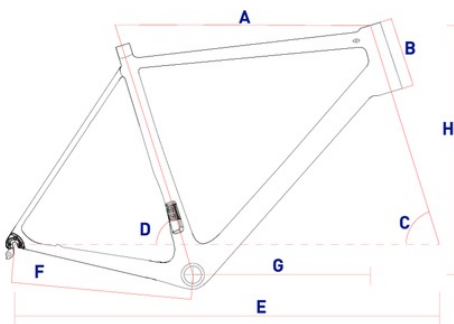
### DESCRIPTION

Perfect for long and challenging road bike tours. The Ultegra Disc Brake offers an even higher level of control and safety, therefore riders benefit from the highest breaking performance. Combined with the comfortable and sporty carbon Frame: A real all-rounder!

- Shimano Ultegra Disc Brake guarantees highest breaking performance
- Light and stiff Mavic Ksyrium Disc wheels
- Shimano ULTEGRA provides precise shifting

### FRAME

CM	A	B	C	D	E	F	G	H
46	519	121	71	75	976	407	375	520
48	537	133	73	74	976	407	383	536
51	555	149	73	74	982	407	391	554
54	570	160	73	73	992	407	398	564
57	589	182	73	73	1009	407	408	586
60	604	203	73	73	1109	407	418	606



### EQUIPMENT

#### MAIN:

FRAME: Corratec CCT Team Disc  
 FORK: Corratec Pro Control Disc Fork  
 BREAKES: Shimano ULTEGRA Disc Brake front  
 Shimano ULTEGRA Disc Brake rear  
 STEM: ZZYX SL Alloy  
 HANDLE BAR: ZZYX SL Alloy Handlebar  
 SADDLE: Fizik Antares R7  
 SEAT POST: ZZYX Twin Bolt

#### DRIVE:

CHAINWHEEL: Rotor Vegast Spider  
 CASSETTE: Shimano 10S  
 FRONT DERAILLEUR: Shimano ULTEGRA  
 REAR DERAILLEUR: Shimano ULTEGRA 11s  
 SHIFT LEVERS: Shimano ULTEGRA

#### WHEELSET:

RIM: Mavic KSYRIUM Disc  
 TIRE: Continental Grand Prix

#### SPECIAL:

CHAINWHEEL RATIO: 2s; 50/34  
 CASSETTE RATIO: 11s; 11-12-13-14-15-17-19-22-25-28-32  
 SIZE BRAKE DISC: 160 mm front  
 160 mm rear

