



Datasheet Dolomiti EXPERT

For more informations visit www.corratec.de

DOLOMITI

Dolomiti EXPERT

Weight from: 9,51 kg

Frame: Corratec Dolomiti

Components: Pro Control Fork

Size: 46, 48, 51, 54, 57, 60

Colors:



TECHNOLOGIES



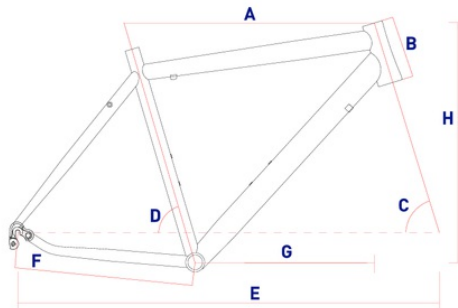
DESCRIPTION

The Dolomiti is the entry for whole roadbike world. The light and strong alloy frame paired with the comfortable seating position will make this bike your perfect mate for nice road bike trips.

- Light and stiff alloy frame.
- Continental Sport tires for good street grip and holding.

FRAME

CM	A	B	C	D	E	F	G	H
46	516	120	71	75	974	407	373	520
48	533	130	73	74	973	407	380	534
51	551	145	73	74	978	407	388	551
54	569	155	73	73	991	407	398	561
57	586	170	73	73	1005	407	408	575
60	602	190	73	73	1021	407	418	595



EQUIPMENT

MAIN:

FRAME:	Corratec Dolomiti
FORK:	Corratec Pro Control Fork
BREAKES:	Shimano R561 front Shimano R561 rear
STEM:	ZYZX SL Alloy
HANDLE BAR:	ZYZX SL Alloy Handlebar
SADDLE:	Corratec Sport
SEAT POST:	ZYZX Twin Bolt

WHEELSET:

RIM:	Mach1 Race Attack 3.0
TIRE:	Continental Ultra Sport II

DRIVE:

CHAINWHEEL:	Shimano TIAGRA
CASSETTE:	Shimano Tiagra 10s
FRONT DERAILLEUR:	Shimano TIAGRA
REAR DERAILLEUR:	Shimano TIAGRA 10s
SHIFT LEVERS:	Shimano TIAGRA

SPECIAL:

CHAINWHEEL RATIO:	2s; 50/34
CASSETTE RATIO:	10s 11-12-14-16-18-20-22-25-28-32

